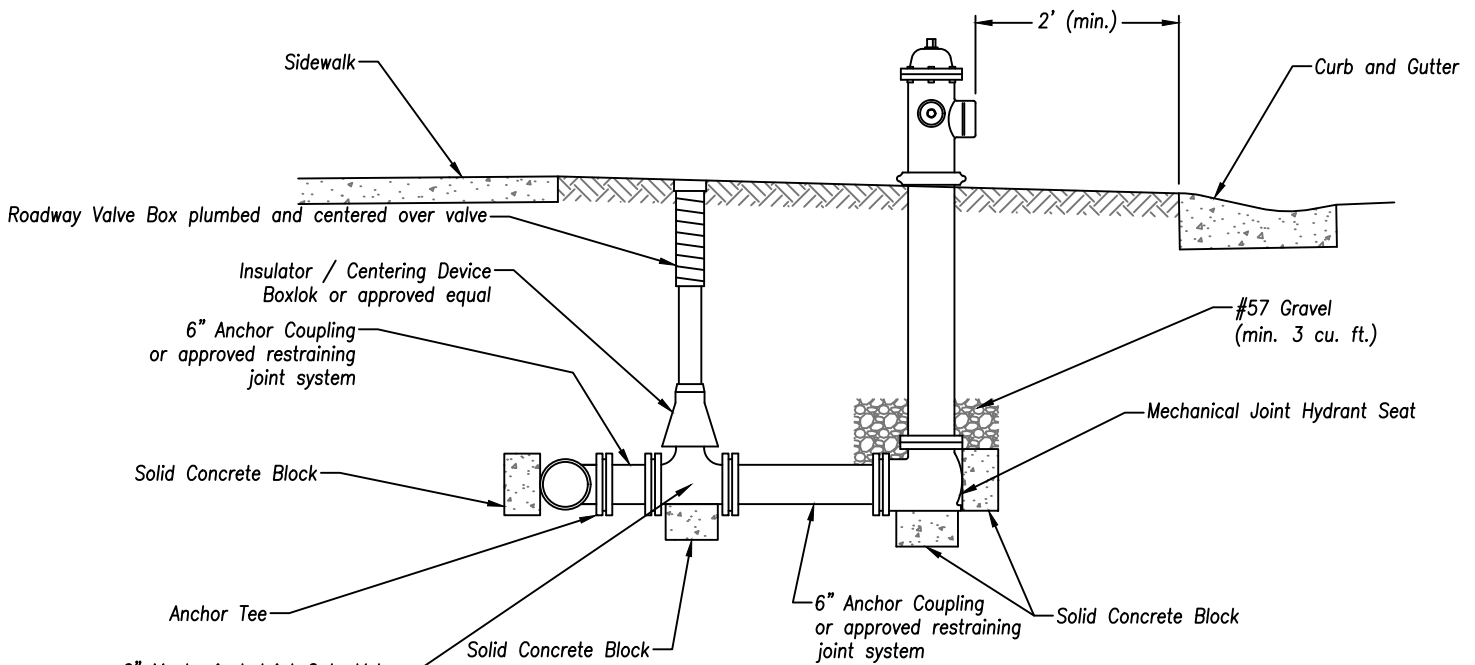


Water Main Under Street Pavement



Water Main Under Sidewalk

Notes:

1. Fire hydrant shall be AWWA C502 and FM-1510 approved.
2. Polyethylene wrap all ductile iron joints and fittings, up to and including hydrant shoe flange.
3. All joints to be installed with an approved restraining joint system.