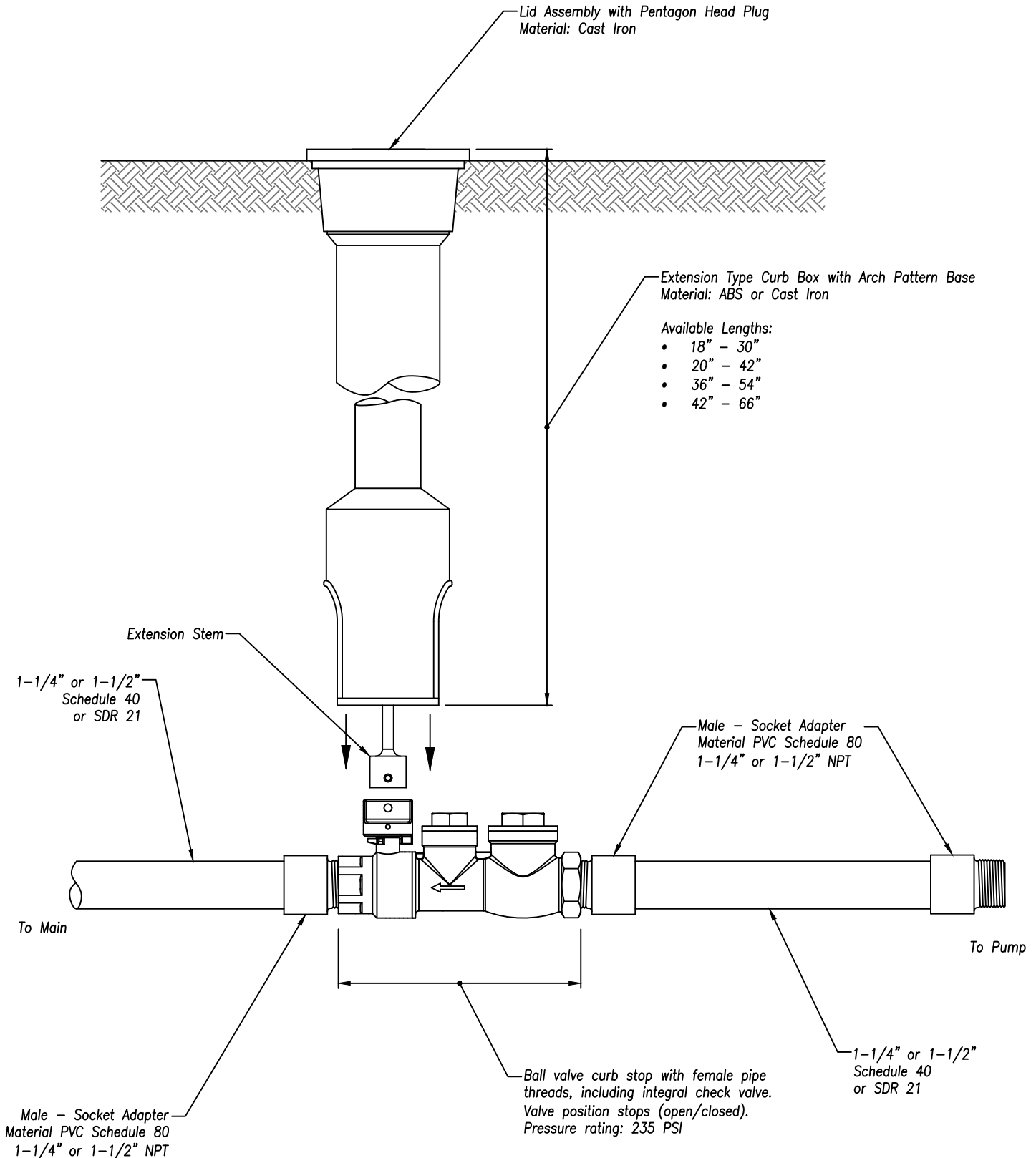


Force Main PVC Lateral Assembly with Stainless Steel Curb Stop (1-1/4" & 1-1/2")

DATE: 05/04/2020

SCALE: NONE

FILE: 2020-026.DWG



Notes:

1. To assemble, apply a double layer of teflon tape and a layer of pipe dope to the threads on the plastic fittings and install per the manufacturer's instructions.
2. Assembly to be pressure tested.
3. Assembly is to be used with PVC pipe. PVC shall be Schedule 40 or SDR-21 w/ Schedule 80 fittings.